



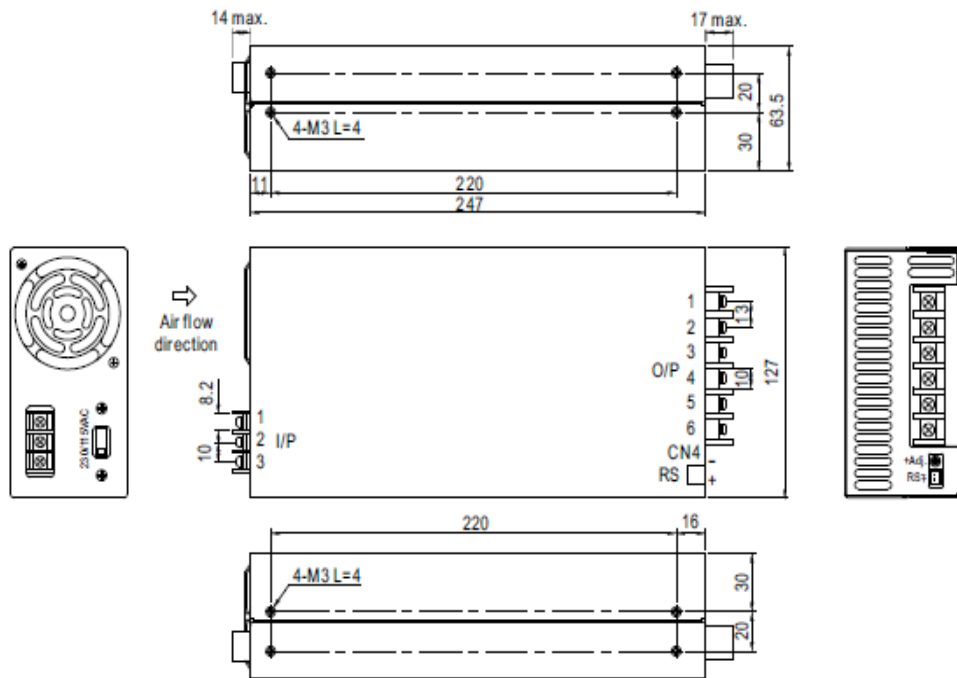
- Features :
- AC input active surge current limiting
 - AC input range selected by switch
 - Protections: Short circuit / Overload / Over voltage / Over temperature
 - Forced air cooling by built-in DC fan
 - Built-in remote sense function
 - 2 years warranty



| MODEL | HPS-U601S5 | HPS-U601S12 | HPS-U601S15 | HPS-U601S24 | HPS-U601S27 | HPS-U601S36 | HPS-U601S48 | |
|---------------------|---|---|-------------|-------------|-------------|-------------|-------------|------------|
| OUTPUT | DC VOLTAGE | 5V | 12V | 15V | 24V | 27V | 36V | 48V |
| | RATED CURRENT | 100A | 50A | 40A | 25A | 22.2A | 16.6A | 12.5A |
| | CURRENT RANGE | 0~100A | 0~50A | 0~40A | 0~25A | 0~22.2A | 0~6.6A | 0~12.5A |
| | RATED POWER | 500W | 600W | 600W | 600W | 599.4W | 597.6W | 600W |
| | RIPPLE & NOISE (max.) | 150mVp-p | 150mVp-p | 150mVp-p | 150mVp-p | 150mVp-p | 200mVp-p | 200mVp-p |
| | VOLTAGE ADJ. RANGE | 4.75~5.5V | 10~13.5V | 13.5~16.5V | 22~26.4V | 24~30V | 32~40V | 43~56V |
| | VOLTAGE TOLERANCE | ±2.0% | ±1.0% | ±1.0% | ±1.0% | ±1.0% | ±1.0% | ±1.0% |
| | LINE REGULATION | ±0.5% | ±0.5% | ±0.5% | ±0.5% | ±0.5% | ±0.5% | ±0.5% |
| | LOAD REGULATION | ±2.0% | ±0.5% | ±0.5% | ±0.5% | ±0.5% | ±0.5% | ±0.5% |
| | SETUP, RISE TIME | 1000ms,50ms/230VAC 1000ms,50ms/115VAC(at full load) | | | | | | |
| HOLD UP TIME (Typ.) | 20ms/230VAC 16ms/115VAC(C at full load) | | | | | | | |
| INPUT | VOLTAGE RANGE | 90~132VAC/180~264VAC(selected by switch) 254-370VDC | | | | | | |
| | FREQUENCY RANGE | 47~63Hz | | | | | | |
| | EFFICIENCY (Typ.) | 78% | 83% | 84% | 87% | 87% | 87% | 88% |
| | AC CURRENT (Typ.) | 12A/115VAC 7.5A/230VAC | | | | | | |
| | INRUSH CURRENT (Typ.) | 30A/115VAC 60A/230VAC | | | | | | |
| | LEAKAGE CURRENT | < 2.0mA/240VAC | | | | | | |
| PROTECTION | OVERLOAD | 105 ~ 125% rated output power Protection type : Shut down o/p voltage, re-power on to recover | | | | | | |
| | OVER VOLTAGE | 5.75~6.3V | 13.8~16.2V | 18~21V | 27.6~32.4V | 31~36.5V | 42~50V | 57.6~67.2V |
| | OVER TEMPERATURE | 85°C ±5°C (TSW1) detect on heatsink of power transistor Protection type : Shut down o/p voltage, recovers automatically after temperature goes down | | | | | | |
| ENVIRONMENT | WORKING TEMP. | -20~+60°C | | | | | | |
| | WORKING HUMIDITY | 20~90% RH non-condensing | | | | | | |
| | STORAGE TEMP., HUMIDITY | -40~+ 85°C , 10~95% RH | | | | | | |
| | TEMP. COEFFICIENT | ±0.05%/°C (0~50°C) | | | | | | |
| | VIBRATION | 10 ~ 500Hz, 2G 10min./1cycle, 60min. each along X, Y, Z axes | | | | | | |
| SAFETY | SAFETY STANDARDS | UL60950-1 approved | | | | | | |
| | WITHSTAND VOLTAGE | I/p-0/P: 3KVAC [p-FG: 1.5KVAC 0/p-FG: 0.5KVAC | | | | | | |
| | ISOLATION RESISTANCE | I/P-0/P, I/P-FG, 0/P-FG: 100M Ohms / 500VDC/ 25 °C/ 70% RH | | | | | | |
| OTHERS | MTBF | ≥ 197K hrs. M IL-HDBK-217F (25°C) | | | | | | |
| | DIMENSION | 247*127*63.5mm (L*W*H) | | | | | | |
| | PACKING | 2.1 Kg | | | | | | |

Mechanical Specification

Case No. 926A Unit:mm



AC input terminal :

| Pin No. | Assignment |
|---------|------------|
| 1 | AC/L |
| 2 | AC/N |
| 3 | FG \perp |

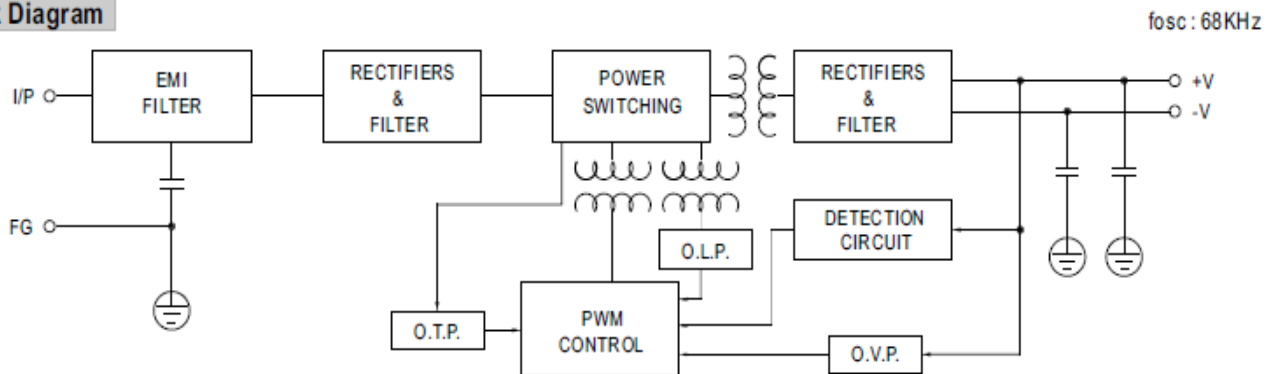
DC Output terminal :

| Pin No. | Assignment |
|---------|------------|
| 1~3 | +V |
| 4~6 | -V |

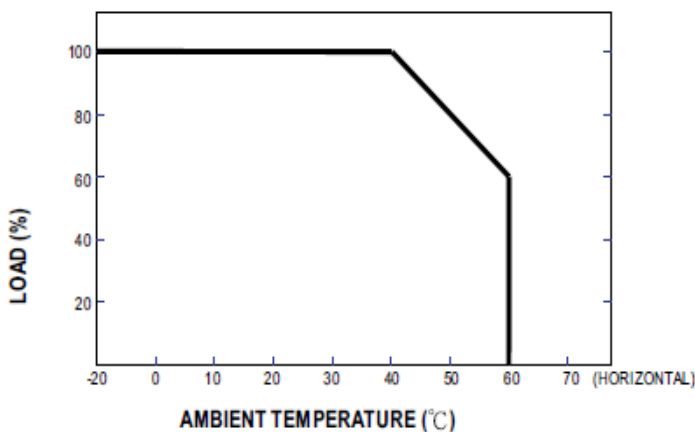
RS Connector (CN4) : JST B-XH or equivalent

| Pin No. | Assignment | Mating Housing | Terminal |
|---------|------------|-----------------------|----------------------------|
| 1 | +S | JST XHP or equivalent | JST SXH-001T or equivalent |
| 2 | -S | | |

Block Diagram



Derating Curve



Static Characteristics

