



Features :

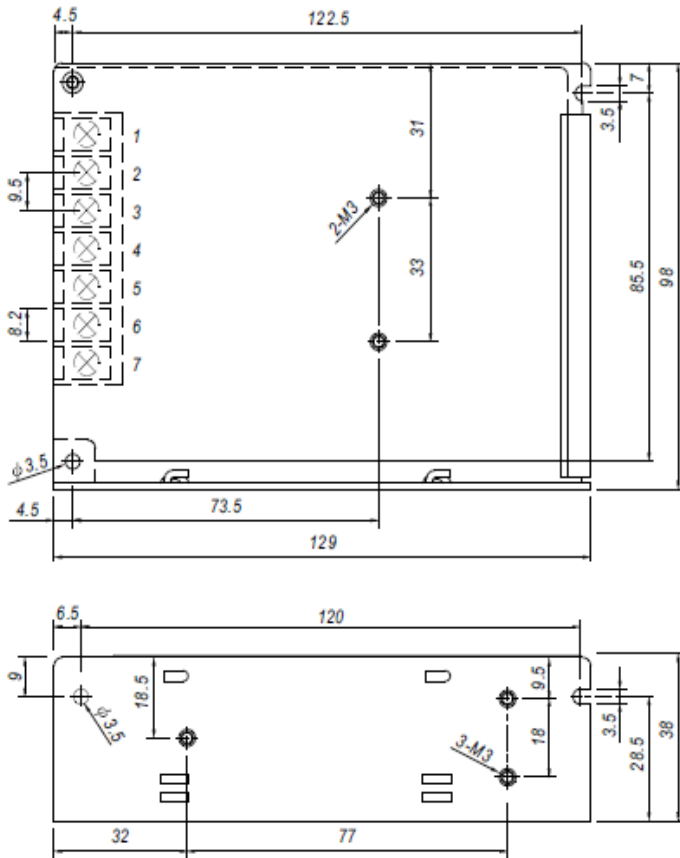
- Isolated output & GND for CH1,CH2
- Universal AC input/ Full range
- Protections: Short circuit / Overload / Over voltage
- Cooling by free air convection
- LED indicator for power on
- 100% full load burn-in test
- Withstand 300VAC surge input for 5 second
- High operating temperature up to 70
- Withstand 5G vibration test
- High efficiency, long life and high reliability
- 3 years warranty



MODEL		HPS-U065D0512M		HPS-U065D0524M	
OUTPUT	OUTPUT NUMBER	CH1	CH2	CH1	CH2
	DC VOLTAGE	5V	12V	5V	24V
	RATED CURRENT	6A	3A	4A	2A
	CURRENT RANGE	0.3~8A		0.3~8A	
	RATED POWER	66W		68W	
	RIPPLE & NOISE (max.)	80mVp-p		120mVp-p	
	VOLTAGE ADJ. RANGE	CHI: 4.75~u 5.5V		CHI: 4.75~u 5.5V	
	VOLTAGE TOLERANCE	±2.0%	±8.0%	±2.0%	±10%
	LINE REGULATION	±0.5%	±1.5%	±0.5%	±2.0%
	LOAD REGULATION	±0.5%	±5.0%	±0.5%	±5.0%
SETUP, RISE TIME	500ms,20ms/230VAC 200ms,30ms/115VAC {atfull load}				
HOLD UP TIME (Typ.)	50ms/230VAC 2ms/115VAC (at full load)				
INPUT	VOLTAGE RANGE	88-264VAC 125-373VDC (Withstand 300VAC surge for 5sec. Without damage)			
	FREQUENCY RANGE	47~63Hz			
	EFFICIENCY (Typ.)			81%	82%
	AC CURRENT (Typ.)	2A/115VAC 1.2A/230VAC			
	INRUSH CURRENT (Typ.)	COLD START: 40A/230VAC			
LEAKAGE CURRENT	< 2mA/ 240VAC				
PROTECTION	OVERLOAD	Above 105% rated output power Protection type : Hiccup mode, recovers automatically after fault condition is removed			
	OVER VOLTAGE	CHI: 5.75~ 6.75V Protection type : Hiccup mode, recovers automatically after fault condition is removed			
ENVIRONMENT	WORKING TEMP.	-25~70°C (Refer to "Derating Curve")			
	WORKING HUMIDITY	20~90% RH, non-condensing			
	STORAGE TEMP., HUMIDITY	-40~85°C , 10~95% RH			
	TEMP. COEFFICIENT	±0.03%/°C (0~50°C)(+5V)			
VIBRATION	10 ~ 500Hz, 5G 10min./1cycle, period for 60min. each along X, Y, Z axes				
SAFETY & EMC	SAFETY STANDARDS	UL60950-1, TUVEN60950-1 approved			
	WITHSTAND VOLTAGE	I/p-O/P: 3KVAC I/p-FG: 1.5KVAC O/p-FG: 0.5KVAC			
	ISOLATION RESISTANCE	I/P-O/P, I/P-FG, O/P-FG: 100M Ohms / 500VDC / 25°C / 70% RH			
	EMC EMISSION	Compliance to EN55022{CISPR22}ClassB, EN610003-2,-3			
	EMC IMMUNITY	Compliance to EN61000-4-2,3,4,5,6,8,11, EN61000-6-2{EN50082-2}, heavy industry level, criteria A			
OTHERS	MTBF	≥ 265.9K hrs. M IL-HDBK-217F (25°C)			
	DIMENSION	129*98*8mm (L*W*H)			

Mechanical Specification

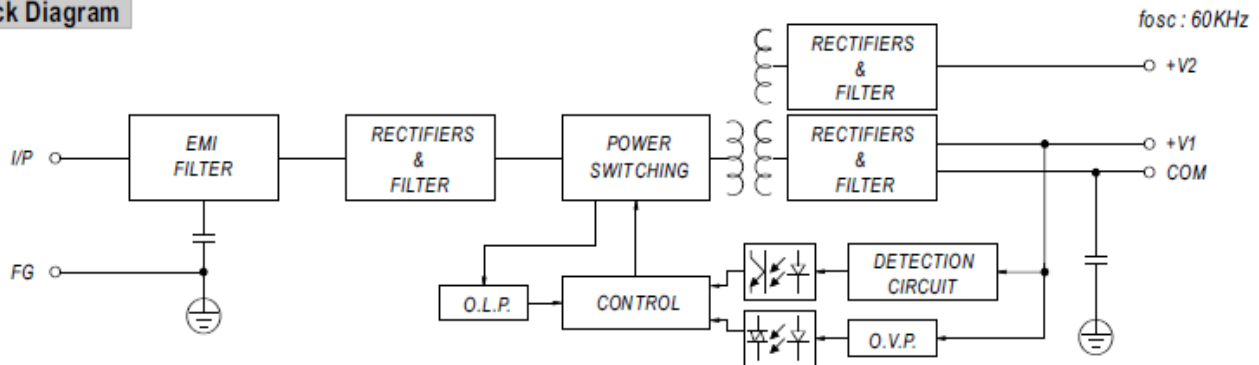
Case No. 903 Unit:mm



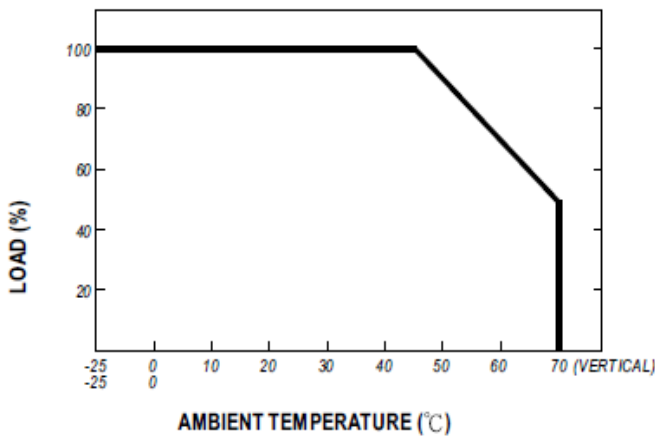
Terminal Pin No. Assignment

Pin No.	Assignment	Pin No.	Assignment
1	AC/L	5	DC OUTPUT+V2
2	AC/N	6	DC OUTPUT G1
3	FG \perp	7	DC OUTPUT+V1
4	DC OUTPUT G2		

Block Diagram



Derating Curve



Output Derating VS Input Voltage

