

### Features :

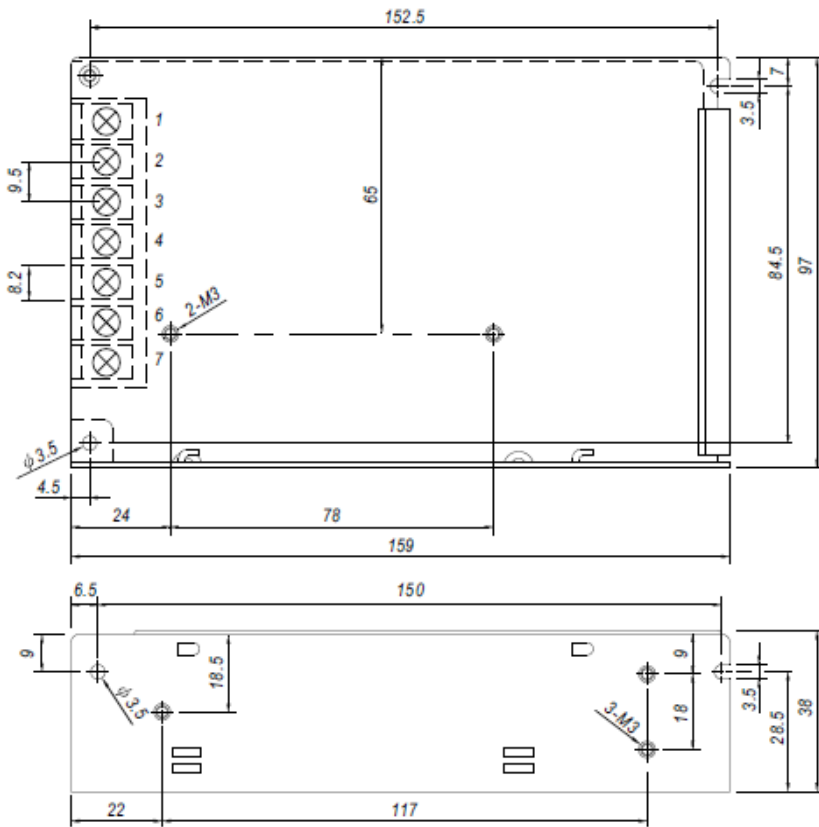
- Universal AC input / Full range
- Protections: Short circuit / Overload / Over voltage
- Cooling by free air convection
- LED indicator for power on
- 100% full load burn-in test
- Withstand 300VAC surge input for 5 second
- High operating temperature up to 70
- Withstand 5G vibration test
- High efficiency, long life and high reliability
- 3 years warranty



MODEL		HPS-U085D0512M		HPS-U085D0524M	
OUTPUT	OUTPUT NUMBER	CHI	CHz	CHI	CHz
	DC VOLTAGE	5V	12V	5V	24V
	RATED CURRENT	8A	4A	8A	2A
	CURRENT RANGE	2~310A	0.3~5A	2~10A	0.3~2.5A
	RATED POWER	88w		88w	
	RIPPLE & NOISE (max.)	80mVp-p	120mVp-p	80mVp-p	120mVp-p
	VOLTAGE ADJ. RANGE	CHI: 4.75~35.5V		CHI: 4.75~35.5V	
	VOLTAGE TOLERANCE	±2.0%	±5.0%	±2.0%	±5.0%
	LINE REGULATION	±0.5%	±1.0%	±0.5%	±1.0%
	LOAD REGULATION	±1.0%	±3.0%	±1.0%	±3.0%
	SETUP, RISE TIME	500ms,20ms/230VAC 1200ms,30ms/115VAC(at full load)			
	HOLD UP TIME (Typ.)	100ms/230VAC 18ms/115VAC (at full load)			
INPUT	VOLTAGE RANGE	88-264VAC 125-373VDC(Withstand 300VAC surge for 5sec. Without damage)			
	FREQUENCY RANGE	47~63Hz			
	EFFICIENCY (Typ.)			78%	80%
	AC CURRENT (Typ.)	2.5A/115VAC 1.5A/230VAC			
	INRUSH CURRENT (Typ.)	COLD START: 40A/230VAC			
	LEAKAGE CURRENT	< 2mA/ 240VAC			
PROTECTION	OVERLOAD	Above 105% rated output power Protection type : Hiccup mode, recovers automatically after fault condition is removed			
	OVER VOLTAGE	CHI: 5.75~6.75V Protection type : Hiccup mode, recovers automatically after fault condition is removed			
ENVIRONMENT	WORKING TEMP.	-25~70°C (Refer to "Derating Curve")			
	WORKING HUMIDITY	20~90% RH,non-condensing			
	STORAGE TEMP., HUMIDITY	-40~85°C , 10~95% RH			
	TEMP. COEFFICIENT	±0.03%/°C (0~50°C)(+5V)			
	VIBRATION	10 ~ 500Hz, 5G 10min./1cycle, period for 60min. each along X, Y, Z axes			
SAFETY & EMC	SAFETY STANDARDS	UL60950-1,TUVEN60950-1approved			
	WITHSTAND VOLTAGE	I/p-O/P: 3KVAC I/p-FG: 1.5KVAC O/p-FG: 0.5KVAC			
	ISOLATION RESISTANCE	I/P-O/P, ]/P-FG, O/P-FG: 100M Ohms / 500VDC / 25°C/ 70% RH			
	EMC EMISSION	Compliance to EN55022(CISPR22)ClassB,EN61000-3-2,-3			
	EMC IMMUNITY	Compliance to EN61000-4-2,3,4,5,6,8,11,EN61000-6-2(EN50082-2), heavy industry level, criteria A			
OTHERS	MTBF	≥ 239.4K hrs. Ml L-H DBK-217F { 25°C )			
	DIMENSION	159* 97*38mm (L*W*H)			

## Mechanical Specification

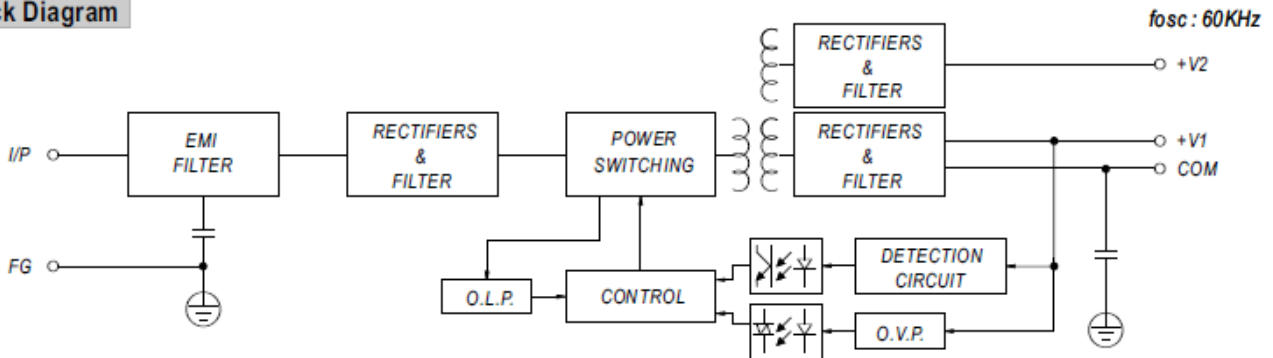
Case No. 901C Unit:mm



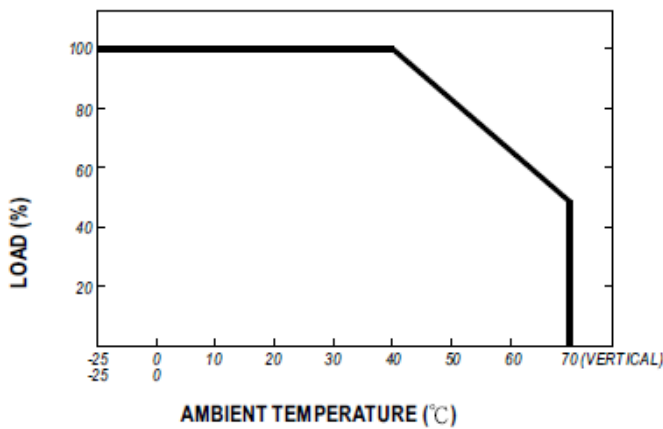
Terminal Pin No. Assignment

Pin No.	Assignment	Pin No.	Assignment
1	AC/L	4,6	DC OUTPUT COM
2	AC/N	5	DC OUTPUT +V2
3	FG $\perp$	7	DC OUTPUT +V1

## Block Diagram



## Derating Curve



## Static Characteristics

