

Features :

- Universal AC input / Full range
- Protections: Short circuit / Overload / Over voltage
- Cooling by free air convection
- LED indicator for power on
- 100% full load burn-in test
- Withstand 300VAC surge input for 5 second
- High operating temperature up to 70
- Withstand 5G vibration test
- High efficiency, long life and high reliability
- 3 years warranty

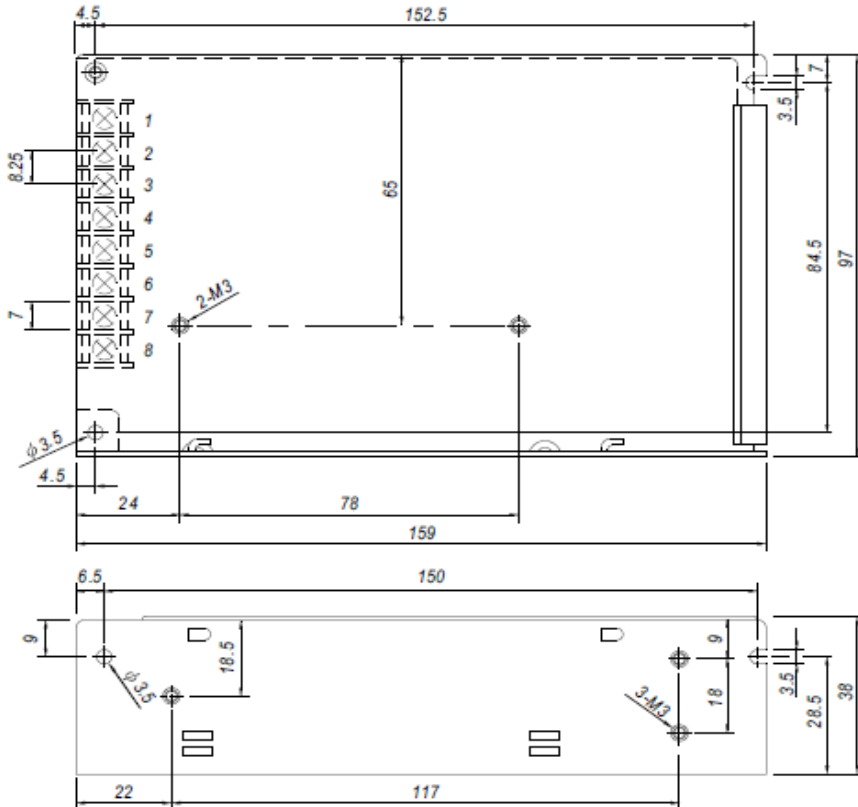


| MODEL | HPS-U085T051205T | | | HPS-U085T051212T | | | HPS-U085T051515T | | | HPS-U085T052412T | | | |
|--------------|-------------------------|---|----------|------------------|----------------|----------|------------------|----------------|----------|------------------|----------------|----------|----------|
| OUTPUT | OUTPUT NUMBER | CHI | CH2 | CH3 | CHI | CH2 | CH3 | CHI | CH2 | CH3 | CHI | CH2 | CH3 |
| | DC VOLTAGE | 5V | 12V | -5V | 5V | 12V | -12V | 5V | 15V | -15V | 5V | 24V | 12V |
| | RATED CURRENT | 8A | 3.5A | 0.5A | 8A | 3.5A | 0.5A | 7A | 3A | 0.5A | 6A | 2A | 1A |
| | CURRENT RANGE | 2~10A | 0.3~4A | 0~1A | 2~10A | 0.3~4A | 0~1A | 2~10A | 0.3~4A | 0~1A | 2~10A | 0.3~2.5A | 0.1~1A |
| | RATED POWER | 84.5W | | | 88W | | | 87.5W | | | 90W | | |
| | RIPPLE & NOISE (max.) | 80mVp-p | 120mVp-p | 100mVp-p | 80mVp-p | 120mVp-p | 120mVp-p | 80mVp-p | 120mVp-p | 120mVp-p | 80mVp-p | 150mVp-p | 120mVp-p |
| | VOLTAGE ADJ. RANGE | CHI: 4.75~5.5V | | | CHI: 4.75~5.5V | | | CHI: 4.75~5.5V | | | CHI: 4.75~5.5V | | |
| | VOLTAGE TOLERANCE | ±2.0% | ±5.0% | ±6.0% | ±2.0% | ±5.0% | ±6.0% | ±2.0% | +3,-7% | ±6.00% | ±2.0% | ±5.0% | ±6.0% |
| | LINE REGULATION | ±0.5% | ±1.0% | ±1.0% | ±0.5% | ±1.0% | ±1.0% | ±0.5% | ±1.0% | ±1.0% | ±0.5% | ±1.0% | ±1.0% |
| | LOAD REGULATION | ±1.0% | ±3.0% | ±6.0% | ±1.0% | ±3.0% | ±6.0% | ±1.0% | ±3.0% | ±6.0% | ±1.0% | ±3.0% | ±6.0% |
| | SETUP, RISE TIME | 500ms,20ms/230VAC 1200ms,30ms/115VAC(at full load) | | | | | | | | | | | |
| | HOLD UP TIME (Typ.) | 100ms/230VAC 18ms/115VAC (at full load) | | | | | | | | | | | |
| INPUT | VOLTAGE RANGE | 88-264VAC 125-373VDC((Withstand 300VAC surge for 5sec. Without damage) | | | | | | | | | | | |
| | FREQUENCY RANGE | 47~63Hz | | | | | | | | | | | |
| | EFFICIENCY (Typ.) | 76% | | | 76% | | | 77% | | | 79% | | |
| | AC CURRENT (Typ.) | 2.5A/115VAC 1.5A/230VAC | | | | | | | | | | | |
| | INRUSH CURRENT (Typ.) | COLD START: 40A/230VAC | | | | | | | | | | | |
| | LEAKAGE CURRENT | < 2mA/ 240VAC | | | | | | | | | | | |
| PROTECTION | OVERLOAD | 110 ~ 150% rated output power Protection type : Hiccup mode, recovers automatically after fault condition is removed | | | | | | | | | | | |
| | OVER VOLTAGE | CHI: 5.75~6.75V Protection type : Hiccup mode, recovers automatically after fault condition is removed | | | | | | | | | | | |
| ENVIRONMENT | WORKING TEMP. | -25~+70°C (Refer to "Derating Curve") | | | | | | | | | | | |
| | WORKING HUMIDITY | 20~90% RH,non-condensing | | | | | | | | | | | |
| | STORAGE TEMP., HUMIDITY | -40~+ 85°C , 10~95% RH | | | | | | | | | | | |
| | TEMP. COEFFICIENT | ±0.03%/°C(0~50 °C)(+5V) | | | | | | | | | | | |
| | VIBRATION | 10 ~ 500Hz, 5G 10min./1cycle, period for 60min. each along X, Y, Z axes | | | | | | | | | | | |
| SAFETY & EMC | SAFETY STANDARDS | UL60950-1,TUVEN60950-1 approved | | | | | | | | | | | |
| | WITHSTAND VOLTAGE | I/p-0/P: 3KVAC I/p-FG: 1.5KVAC 0/p-FG: 0.5KVAC | | | | | | | | | | | |
| | ISOLATION RESISTANCE | I/P-0/P, I/P-FG, 0/P-FG: 100M Ohms / 500VDC / 25°C / 70% RH | | | | | | | | | | | |
| | EMC EMISSION | Compliance to EN55022(CISPR22)ClassB,EN61000-3-2,-3 | | | | | | | | | | | |
| | EMC IMMUNITY | Compliance to EN61000-4-2,3,4,5,6,8,11,EN61000-6-2(EN50082-2), heavy industry level, criteria A | | | | | | | | | | | |

| | | |
|--------|-----------|-----------------------------------|
| OTHERS | MTBF | ≥ 215K hrs. MIL-HDBK-217F (25°C) |
| | DIMENSION | 159*97*38mm (L*W*H) |
| | PACKAGE | 0.6Kg |

Mechanical Specification

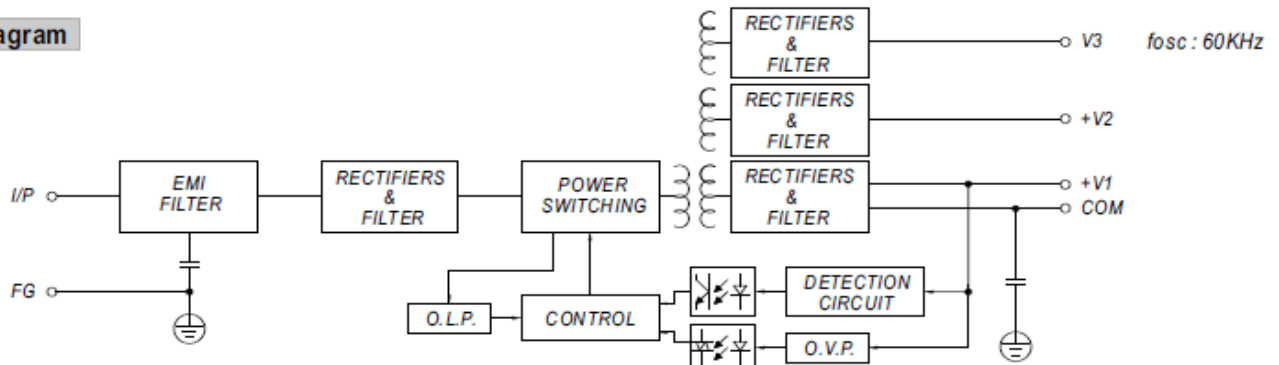
Case No. 901C Unit:mm



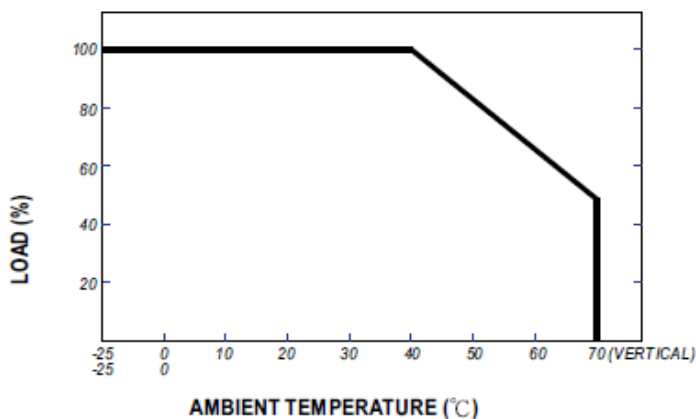
Terminal Pin No. Assignment

| Pin No. | Assignment | Pin No. | Assignment |
|---------|------------|---------|---------------|
| 1 | AC/L | 5 | DC OUTPUT V3 |
| 2 | AC/N | 6 | DC OUTPUT +V2 |
| 3 | FG \perp | 7 | DC OUTPUT COM |
| 4 | NC | 8 | DC OUTPUT +V1 |

Block Diagram



Derating Curve



Static Characteristics

