

Features :

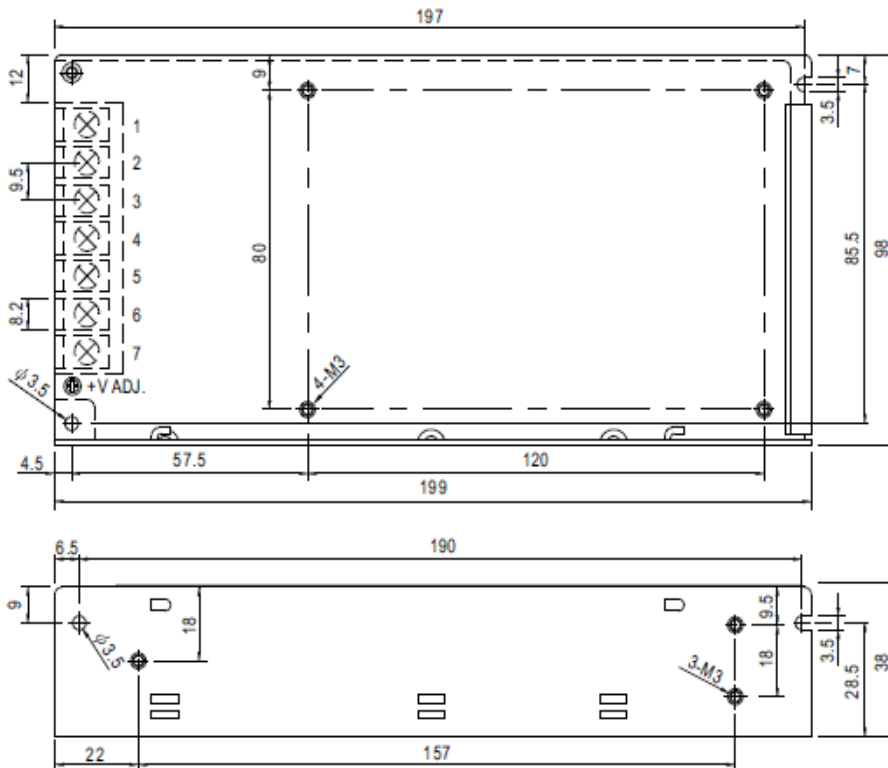
- Universal AC input / Full range
- Protections: Short circuit / Overload / Over voltage
- Cooling by free air convection
- LED indicator for power on
- 100% full load burn-in test
- 2 years warranty



MODEL	HPS-U101D0512T		HPS-U101D0524T		HPS-U101D1205T		HPS-U101D2405T			
OUTPUT	OUTPUT NUMBER	CHI	CH2	CHI	CH2	CHI	CHz	CHI	CH2	
	DC VOLTAGE	5V	12V	5V	24V	12V	5V	24V	5V	
	RATED CURRENT	10A	4.2A	8A	2.5A	7A	3A	3.5A	3A	
	CURRENT RANGE	2~10A	0.7~7.0A	1~10A	0.3~3.5A	0~8A	0~3A	0~4A	0~3A	
	RATED POWER	100.4W		100W		99W		99W		
	RIPPLE & NOISE	80mVp-p	120mVp-p	80mVp-p	200mVp-p	120mVp-p	80mVp-p	120mVp-p	80mVp-p	
	VOLTAGE ADJ. RANGE	CHI:4.75~5.5V		CHI:4.75~5.5V		CHI:11.4~13.2V		CHI:22.8~26.4V		
	VOLTAGE TOLERANCE	±2.0%	±10%	±2.0%	±8.0%	±2.0%	±3.0%	±2.0%	±3.0%	
	LINE REGULATION	±0.5%	±0.5%	±0.5%	±0.5%	±0.5%	±0.5%	±0.5%	±0.5%	
	LOAD REGULATION	±1.0%	±5.0%	±1.0%	±4.0%	±1.0%	±2.0%	±1.0%	±2.0%	
	SETUP, RISE TIME	2000ms,30ms/230VAC 1200ms,30ms/115VAC(at full load)								
	HOLD UP TIME (Typ.)	25ms/230VAC 20ms/115VAC(at full load)								
INPUT	VOLTAGE RANGE	88~132VAC / 176~264VAC 248373VDC								
	FREQUENCY RANGE	47~63Hz								
	EFFICIENCY (Typ.)	80%		82%		80%		82%		
	AC CURRENT (Typ.)	2A/115VAC 1.2A/230VAC								
	INRUSH CURRENT (Typ.)	COLD START: 45A								
	LEAKAGE CURRENT	< 2mA/ 240VAC								
PROTECTION	OVERLOAD	Above 105% rated output power Protection type : Hiccup mode, recovers automatically after fault condition is removed								
	OVER VOLTAGE	CHI : 5.75~6.75V		CHI: 5.75~6.75V		CHI: 13.8~15.8V		CHI: 27.6~32.4V		
ENVIRONMENT	WORKING TEMP.	-20~+60°C								
	WORKING HUMIDITY	20~90% RH,non-condensing								
	STORAGE TEMP., HUMIDITY	-40~85°C , 10~95% RH								
	TEMP. COEFFICIENT	±0.03%/°C {0~50°C}(CHI)								
	VIBRATION	10 ~ 500Hz, 2G 10min./1cycle, period for 60min. each along X, Y, Z axes								
SAFETY & EMC	SAFETY STANDARDS	UL60950-1,CB(IEC60950-1) approved								
	WITHSTAND VOLTAGE	I/p-0/P: 3KVAC [p-FG: 1.5KVAC 0/p-FG: 0.5KVAC								
	ISOLATION RESISTANCE	I/P-0/P, I/P-FG, 0/P-FG: 100M Ohms/500VDC								
	EMC EMISSION	Compliance to EN55022{CISPR22}ClassB								
	THD CURRENT	Compliance to EN61000-3-2,3								
	EMC IMMUNITY	Compliance to EN61000-4-2,3,4,5,6,8,11,ENV50204,EN55024,EN61000-6-1,light industry level, criteria A								
OTHERS	MTBF	≥ 320.7K hrs. M[L-H DBK-217F { 25°C)								
	DIMENSION	199*98*38mm (L* W* H)								
	PACKAGE	0.55Kg								

Mechanical Specification

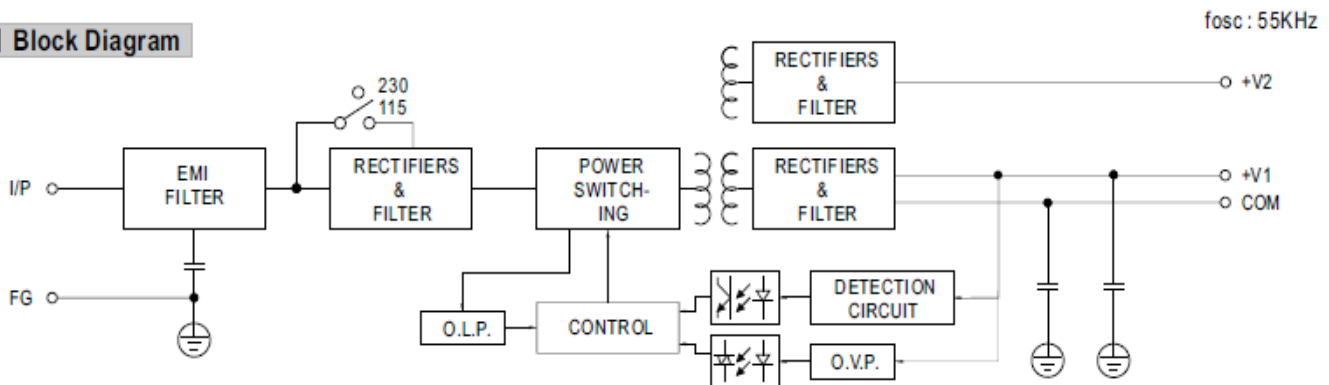
Case No. 902 Unit:mm



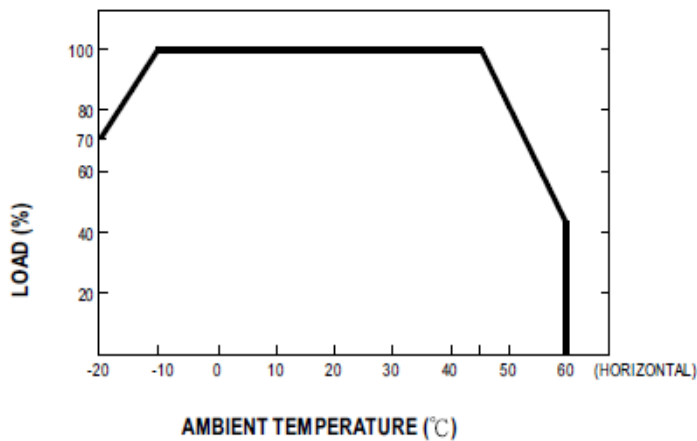
Terminal Pin No. Assignment

Pin No.	Assignment	Pin No.	Assignment
1	AC/L	5	DC OUTPUT +V2
2	AC/N	4,6	DC OUTPUT COM
3	FG \perp	7	DC OUTPUT +V1

Block Diagram



Derating Curve



Output Derating VS Input Voltage

