

Features :

- Protections: Short circuit / Overload / Over voltage
- Cooling by free air convection
- LED indicator for power on
- 100% full load burn-in test
- Withstand 300VAC surge input for 5 second
- High operating temperature up to 70
- Withstand 5G vibration test
- High efficiency, long life and high reliability
- 3 years warranty

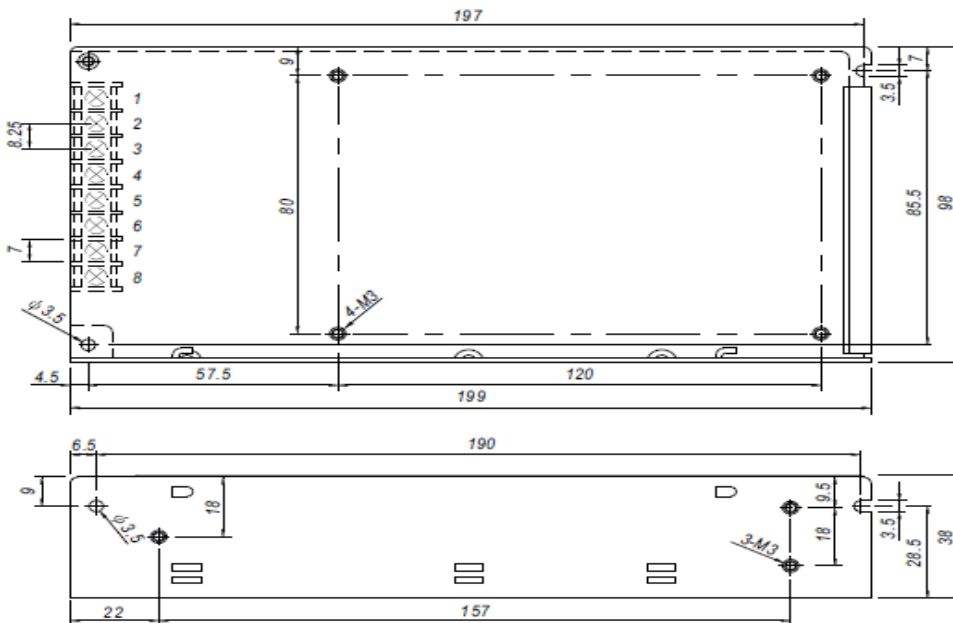


MODEL	HPS-U125QA				HPS-U125QB				HPS-U125QC					
OUTPUT	OUTPUT NUMBER	CHI	CH2	CH3	CH4	CHI	CH2	CH3	CH4	CHI	CH2	CH3	CH4	
	DC VOLTAGE	5V	12V	-5V	-12V	5V	15V	-5V	-15V	5V	12V	24V	-12V	
	RATED CURRENT	11A	4.5A	1A	0.5A	10A	4A	1A	0.5A	8A	2.5A	2A	0.5A	
	CURRENT RANGE	2~12A	0.5~4.5A	0.1~1A	0~1A	2~12A	0.5~4A	0.1~1A	0~1A	2~12A	0.5~4A	0.1~2.5A	0~1A	
	RATED POWER	120W				122.5W				124W				
	RIPPLE & NOISE (max.)	80mVp-p	120mVp-p	80mVp-p	80mVp-p	80mVp-p	120mVp-p	80mVp-p	80mVp-p	80mVp-p	80mVp-p	120mVp-p	150mVp-p	80mVp-p
	VOLTAGE ADJ. RANGE	CHI: 4.75~5.5V				CHI: 4.75~5.5V				CHI: 4.75~5.5V				
	VOLTAGE TOLERANCE	±2.0%	+8,-3%	+6,-10%	±5.0%	±2.0%	+8,-3%	+6,-10%	±5.0%	±2.0%	+8,-3%	±8.0%	±5.0%	
	LINE REGULATION	±0.5%	±1.0%	±1.0%	±1.0%	±0.5%	±1.0%	±1.0%	±1.0%	±0.5%	±1.0%	±1.0%	±1.0%	
	LOAD REGULATION	±1.0%	±3.0%	±6.0%	±2.0%	±1.0%	±3.0%	±6.0%	±2.0%	±1.0%	±3.0%	±5.0%	±2.0%	
	SETUP, RISE TIME	500ms,20ms/230VAC 1200ms,30ms/115VAC(at full load)												
HOLD UP TIME (Typ.)	25ms/230VAC 30ms/115VAC (at full load)													
INPUT	VOLTAGE RANGE	88 ~ 132VAC / 176 ~ 264VAC selected by switch 248 ~ 373VDC(Withstand 300VAC surge for 5sec. Without damage)												
	FREQUENCY RANGE	47~63Hz												
	EFFICIENCY (Typ.)	79%				80%				82%				
	AC CURRENT (Typ.)	3A/115VAC 2A/230VAC												
	INRUSH CURRENT (Typ.)	COLD START: 40A/230VAC												
	LEAKAGE CURRENT	< 2mA/ 240VAC												
PROTECTION	OVERLOAD	110 ~ 150% rated output power Protection type : Hiccup mode, recovers automatically after fault condition is removed												
	OVER VOLTAGE	CHI: 5.75~6.75V Protection type : Hiccup mode, recovers automatically after fault condition is removed												
ENVIRONMENT	WORKING TEMP.	-25~+70°C												
	WORKING HUMIDITY	20~90% RH,non-condensing												
	STORAGE TEMP., HUMIDITY	-40~+85°C , 10~95% RH												
	TEMP. COEFFICIENT	±0.03%/°C(0~50°C)(+5V)												
	VIBRATION	10 ~ 500Hz, 5G 10min./1cycle, period for 60min. each along X, Y, Z axes												

SAFETY & EMC	SAFETY STANDARDS	UL60950-1, TUVEN60950-1 approved
	WITHSTAND VOLTAGE	I/p-0/P: 3KVAC I/p-FG: 1.5KVAC 0/p-FG: 0.5KVAC
	ISOLATION RESISTANCE	I/P-0/P, I/P-FG, 0/P-FG: 100M Ohms/ 500VDC / 25°C / 70% RH
	EMC EMISSION	Compliance to EN55022(CISPR22)ClassB, EN61000-3-2,-3
	EMC IMMUNITY	Compliance to EN61000-4-2,3,4,5,6,8,11, EN61000-6-2 {EN50082-2}, heavy industry level, criteria A
OTHERS	MTBF	≥ 203.1K hrs. MI L-H DBK-217F (25°C)
	DIMENSION	199*98*38mm (L*W*H)
	PACKAGE	0.7Kg

Mechanical Specification

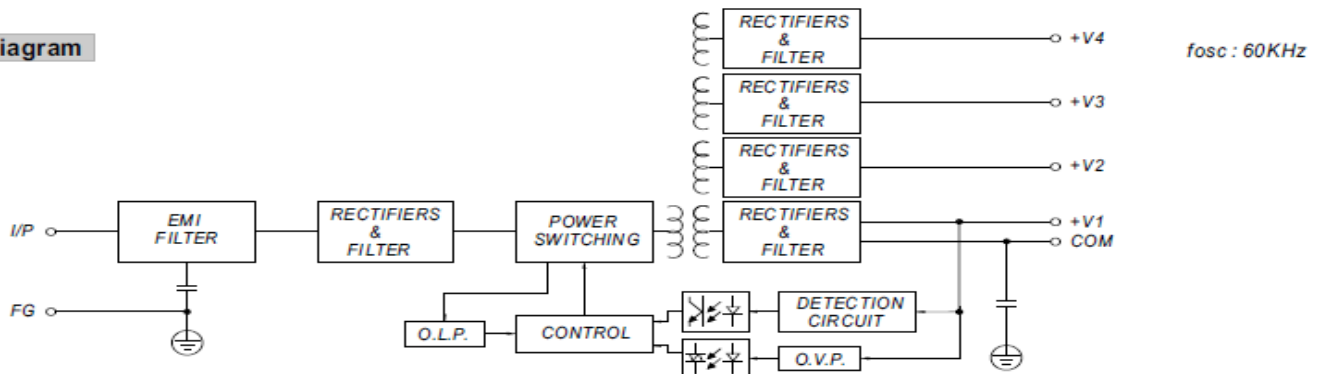
Case No. 902 Unit:mm



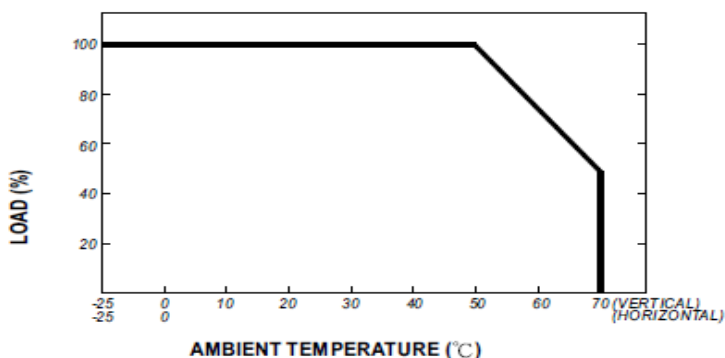
Terminal Pin No. Assignment

Pin No.	Assignment	Pin No.	Assignment
1	AC/L	5	DC OUTPUT V3
2	AC/N	6	DC OUTPUT +V2
3	FG \perp	7	DC OUTPUT COM
4	DC OUTPUT -V4	8	DC OUTPUT +V1

Block Diagram



Derating Curve



Static Characteristics

