

Features :

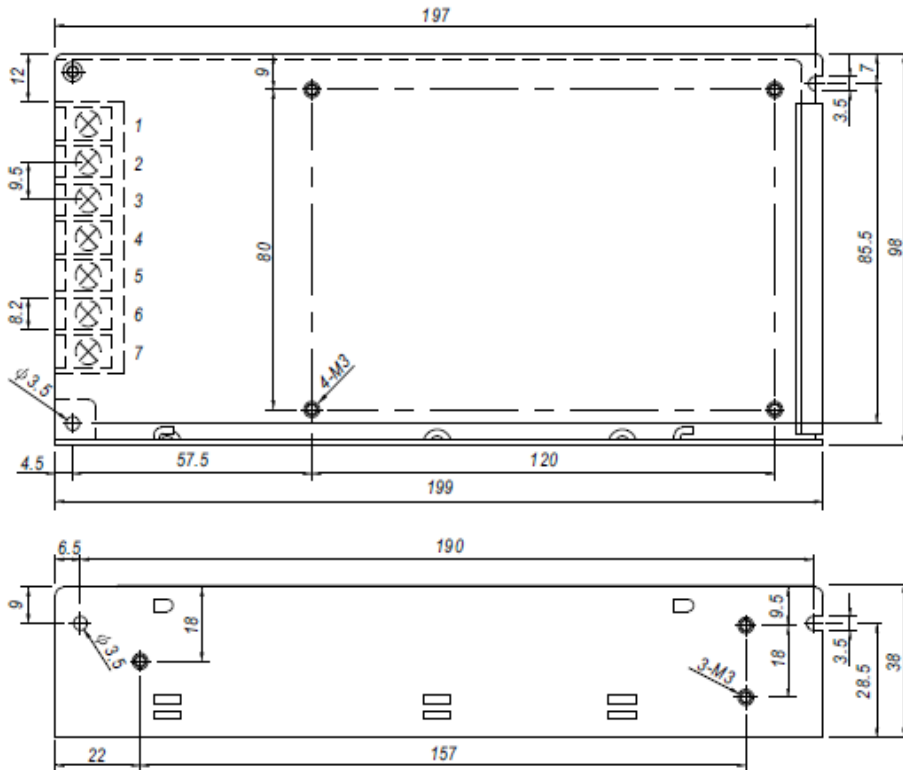
- Universal AC input / Full range
- Protections: Short circuit / Overload / Over voltage
- Cooling by free air convection
- LED indicator for power on
- 100% full load burn-in test
- Withstand 300VAC surge input for 5 second
- Withstand 5G vibration test
- High efficiency, long life and high reliability
- 3 years warranty



MODEL	HPS-U151S3.3M	HPS-U151S5M	HPS-U151S12M	HPS-U151S15M	HPS-U151S24M	HPS-U151S48M	
OUTPUT	DC VOLTAGE	3.3V	5V	12V	15V	24V	48V
	RATED CURRENT	30A	26A	12.5A	10A	6.5A	3.3A
	CURRENT RANGE	0~30A	0~26A	0~12.5A	0~10A	0~6.5A	0~3.3A
	RATED POWER	99W	130W	150W	150W	156W	158.4W
	RIPPLE & NOISE (max.)	80mVp-p	80mVp-p	120mVp-p	120mVp-p	120mVp-p	200mVp-p
	VOLTAGE ADJ. RANGE	3.2V~3.5V	4.75~5.5V	11.4~13.2V	14.25~16.5V	22.8~26.4V	45.6~52.8V
	VOLTAGE TOLERANCE	±3.0%	±2.0%	±1.0%	±1.0%	±1.0%	±1.0%
	LINE REGULATION	±0.5%	±0.5%	±0.5%	±0.5%	±0.5%	±0.5%
	LOAD REGULATION	±2.0%	±1.0%	±0.5%	±0.5%	±0.5%	±0.5%
	SETUP, RISE TIME	800ms,20ms/230VAC 1200ms,30ms/115VAC {at full load}					
HOLD UP TIME (Typ.)	28ms/230VAC 20ms/115VAC (at full load)						
INPUT	VOLTAGE RANGE	88-132VAC/176-264VAC 248-373VDC (Withstand 300VAC surge for 5sec. Without damage)					
	FREQUENCY RANGE	47~63Hz					
	EFFICIENCY (Typ.)	74%	78%	83%	84%	86%	87%
	AC CURRENT (Typ.)	3A/115VAC 2A/230VAC					
	INRUSH CURRENT (Typ.)	COLD START: 40A/230VAC					
	LEAKAGE CURRENT	< 2mA/ 240VAC					
PROTECTION	OVERLOAD	Above 105% rated output power Protection type : Hiccup mode, recovers automatically after fault condition is removed					
	OVER VOLTAGE	3.8~4.45V	5.75~6.75V	13.8~16.2V	17.25~20.25V	27.6~32.4V	55.2~64.8V
		Protection type : Hiccup mode, recovers automatically after fault condition is removed					
ENVIRONMENT	WORKING TEMP.	-25~75°C(Refer to "Derating Curve")					
	WORKING HUMIDITY	20~90% RH,non-condensing					
	STORAGE TEMP., HUMIDITY	-4~85°C , 10~95% RH					
	TEMP. COEFFICIENT	±0.03%/°C ( 0~50°C)					
	VIBRATION	10 ~ 500Hz, 5G 10min./1cycle, period for 60min. each along X, Y, Z axes					
SAFETY & EMC	SAFETY STANDARDS	UL60950-1,TUVEN60950-1 approved					
	WITHSTAND VOLTAGE	I/p-0/P: 3KVAC I/p-FG: 1.5KVAC 0/p-FG: 0.5KVAC					
	ISOLATION RESISTANCE	I/P-0/P, I/P-FG, 0/P-FG: 100M Ohms / 500VDC / 25°C/ 70% RH					
	EMC EMISSION	Compliance to EN55022(CISPR22)ClassB,EN61000-3-2,-3					
	EMC IMMUNITY	Compliance to EN61000-4-2,3,4,5,6,8,11,EN61000-6-2(EN50082-2), heavy industry level, criteria A					
OTHERS	MTBF	≥ 244K hrs. MIL-HDBK-217F (25°C )					
	DIMENSION	199*98*38mm (L*W*H)					

## Mechanical Specification

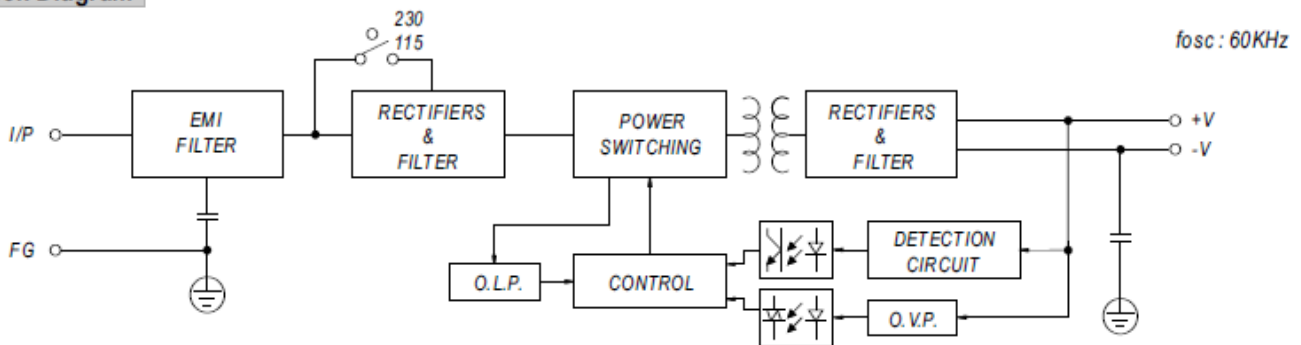
Case No. 902A Unit:mm



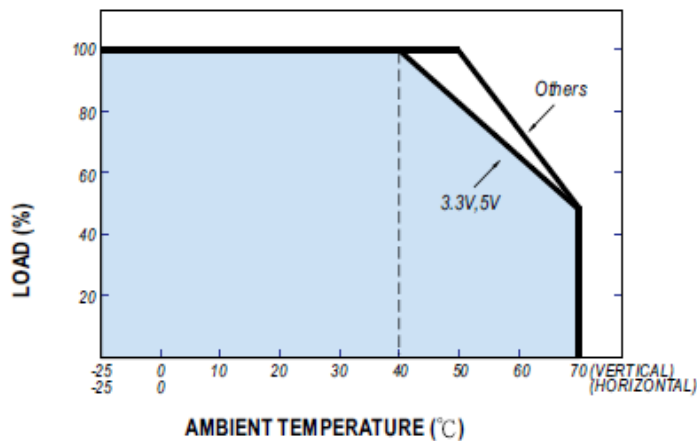
Terminal Pin No. Assignment

Pin No.	Assignment	Pin No.	Assignment
1	AC/L	4,5	DC OUTPUT -V
2	AC/N	6,7	DC OUTPUT +V
3	FG $\perp$		

## Block Diagram



## Derating Curve



## Static Characteristics

